



SINCE 1976

SHOWFOU PUMP

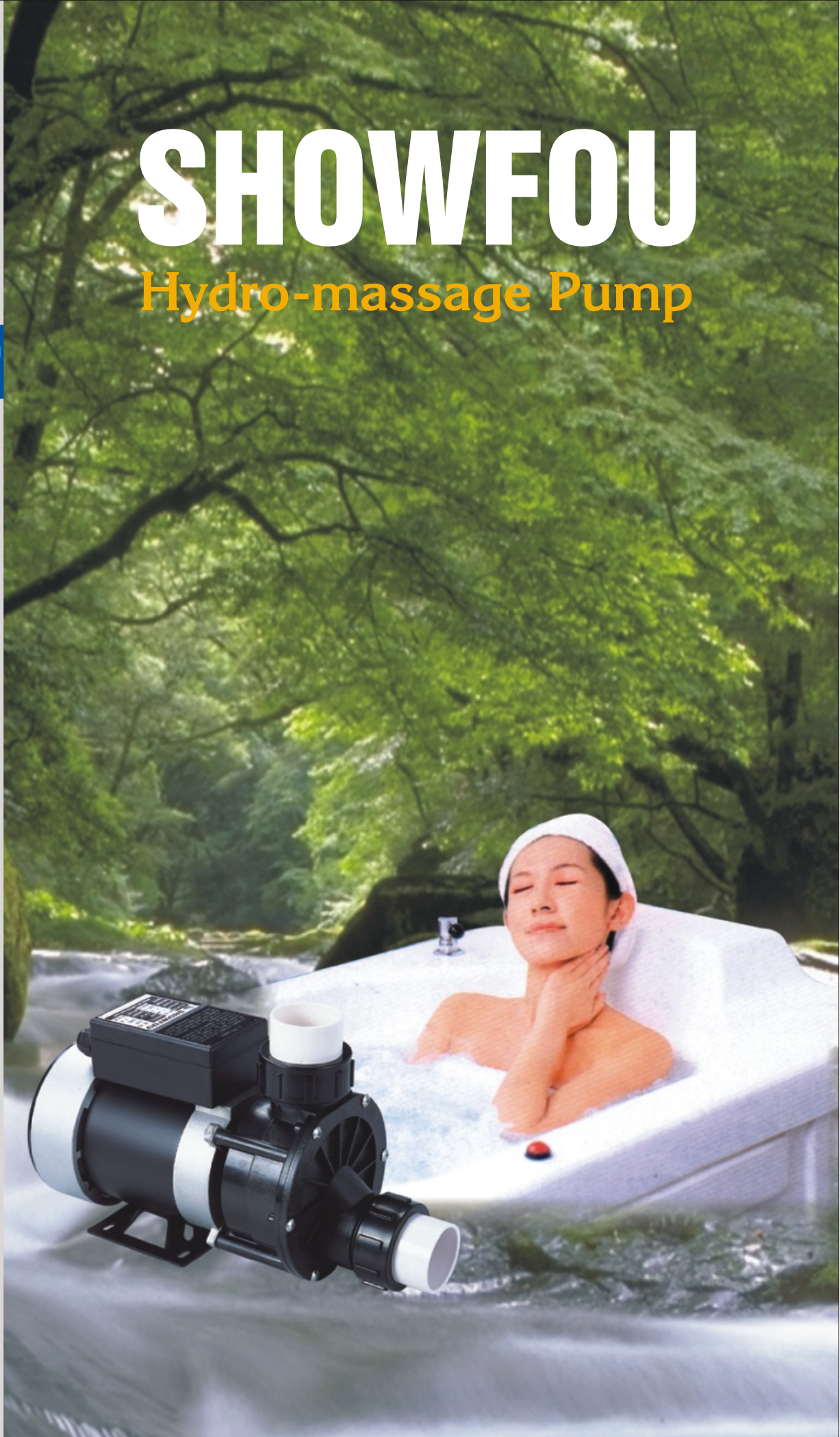


標檢局
ISO-9001/CNS12681

MP
Hydro-massage
Pump

SHOWFOU

Hydro-massage Pump



SHOWFOU ELECTRIC MACHINE CO., LTD.

CAT NO.:B0507-2



SHOWFOU

Hydro-massage Pump

Single Stage Centrifugal Pumps specially designed for hydro-massage application.

Materials:

Pump casing and impeller in polycarbonate.

Mechanical seal in ceramic-carbon.

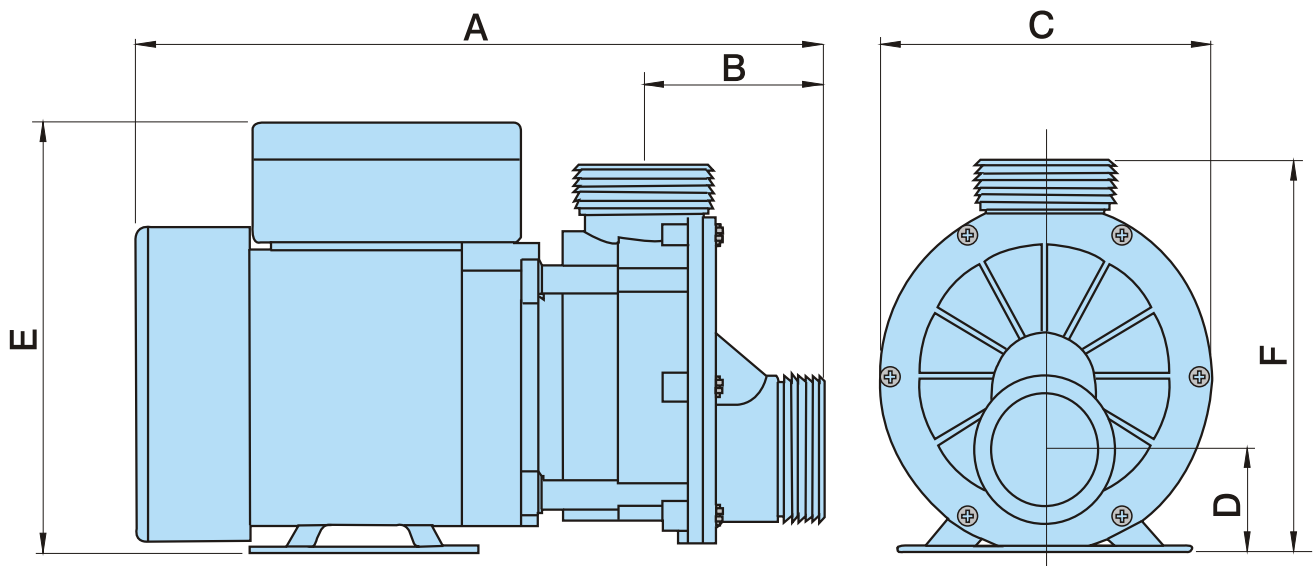
Motor head and lower cover in aluminum.

Motor:

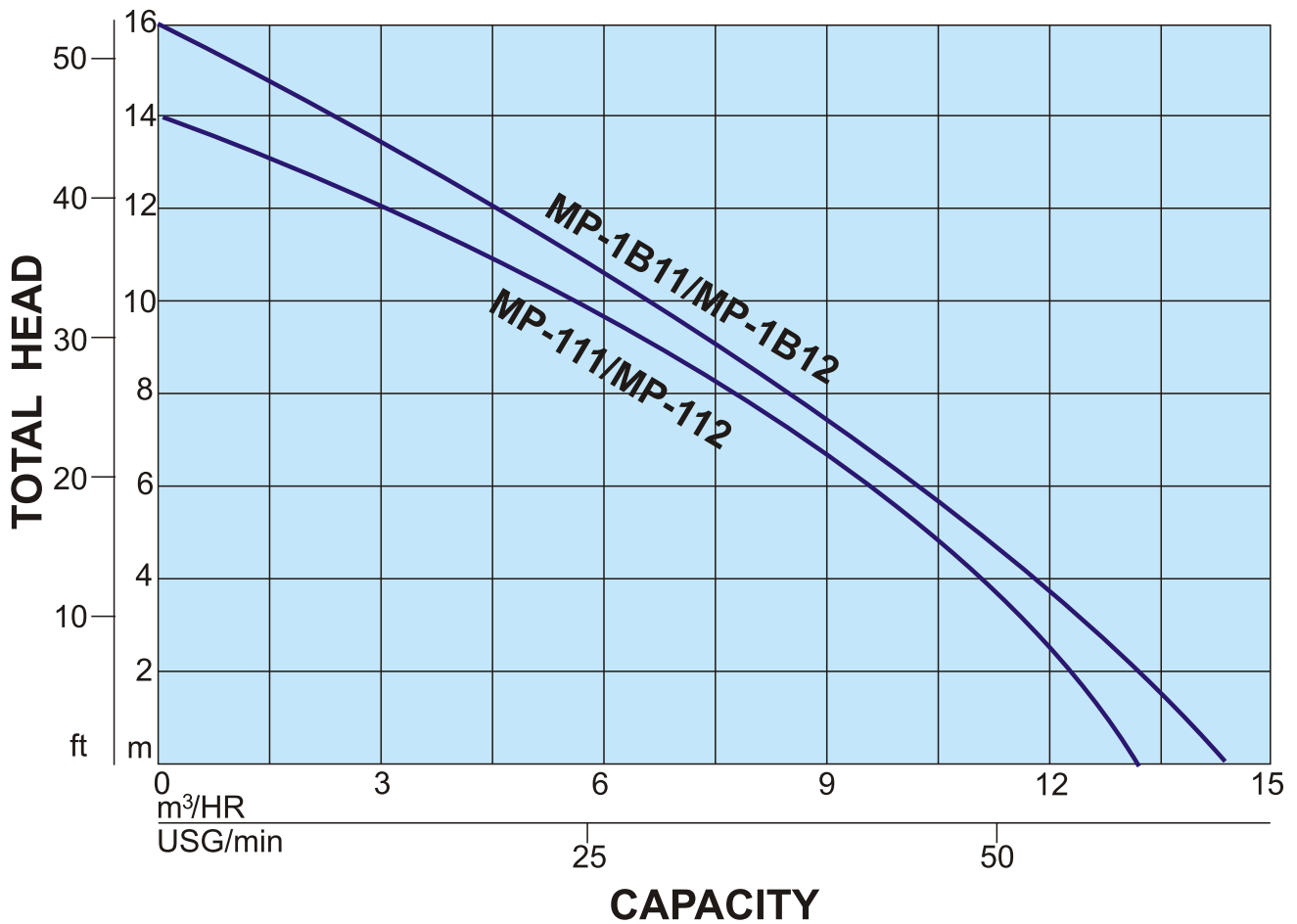
2 poles/Continuous duty

Built-in thermal protection.

Available with 1HP and 1-1/2 HP

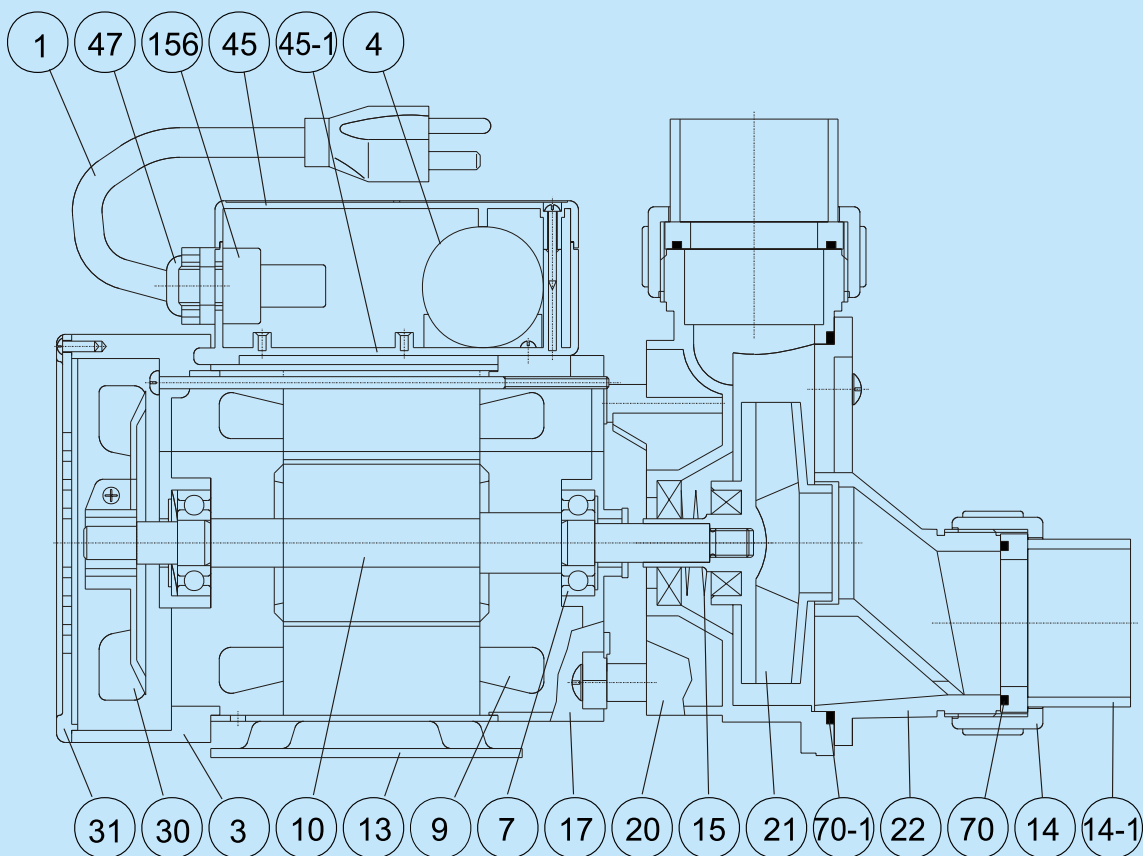


TYPE	MOTOR	A	B	C	D	E	F
	KW(HP)	mm	mm	mm	mm	mm	mm
MP-111/MP-112	0.75(1)	313	83	149	40	183	165
MP-1B11/MP-1B12	1.1(1-1/2)	338	83	149	40	183	165



MP Type HYDRO-MASSAGE PUMP

Type	MOTOR			PUMP			Weight	Height	Pump Dia.
	Power	Phase	Volt	Disch. Dia	Max. Head	Max. Flow			
	KW(HP)	PH	V	Inch(mm)	M	m³/HR			
MP-111	0.75(1)	1	100~120	1-1/2"(40)	14	13.2	8	183	313
MP-112	0.75(1)	1	200~240	1-1/2"(40)	14	13.2	8	183	313
MP-1B11	1.1(1-1/2)	1	100~120	1-1/2"(40)	16	14.4	10	183	338
MP-1B12	1.1(1-1/2)	1	200~240	1-1/2"(40)	16	14.4	10	183	338



ITEM No.	PARTS LIST	MATERIAL
1	CABLE	
3	MOTOR HEAD COVER	Aluminum
4	CAPACITOR	
7	BEARING(SET)	
9	COIL	
10	SHAFT	S45C
13	MOTOR CASING	Steel
14	HOSE COUPLING	Plastic
14-1	HOSE COUPLING	Plastic
15	MECHANICAL SEAL	Ceramic +Carbon
17	MOTOR LOWER COVER	Aluminum
20	PUMP CASING	Plastic
21	IMPELLER	Plastic
22	SUCTION COVER	Plastic
30	COOLING FAN	
31	FAN COVER	Plastic
45	CAPACITOR COVER	Plastic
45-1	CAPACITOR COVER	Plastic
47	CABLE FIXED	
70	O-RING	NBR
70-1	O-RING	NBR
156	Air Switch	

SHOWFOU ELECTRIC MACHINE CO., LTD.

No. 66, Bengong Road, Gangshan Township
 Kaohsiung County 820, Taiwan
 Tel No.: (07) 6226590
 Fax No.: +886-7-6226593
 e-mail: showfou@ms11.hinet.net
 http ://www.showfoupump.com

AGENT

All specifications subject to change without notice.